

Team ASA NPWR-LCX



NPWR-LCX
Single Board
Networking
Computer

High Performance
Low Cost
Low Power

Dual Gigabit Ethernet

Quad 1.5 Gbit SATA

USB 2.0

600 MHz 80219 Intel
XScale CPU

Linux OS

16 MB Flash ROM Drive

Low Power

Compact Size

A Low Cost Solution for
Embedded Linux Applications
which require High Speed
Processing, Networking and
Storage!

Team ASA

Contact our Sales Office
Phone: (619) 253-8753
PO Box 420576
San Diego, CA 92142
Sales@TeamASA.com

Visit Our Web Site at www.TeamASA.com

NPWR-LCX

Single Board Networking Computer

Possible Applications Include

Embedded NAS and Web Servers

Bridging Servers

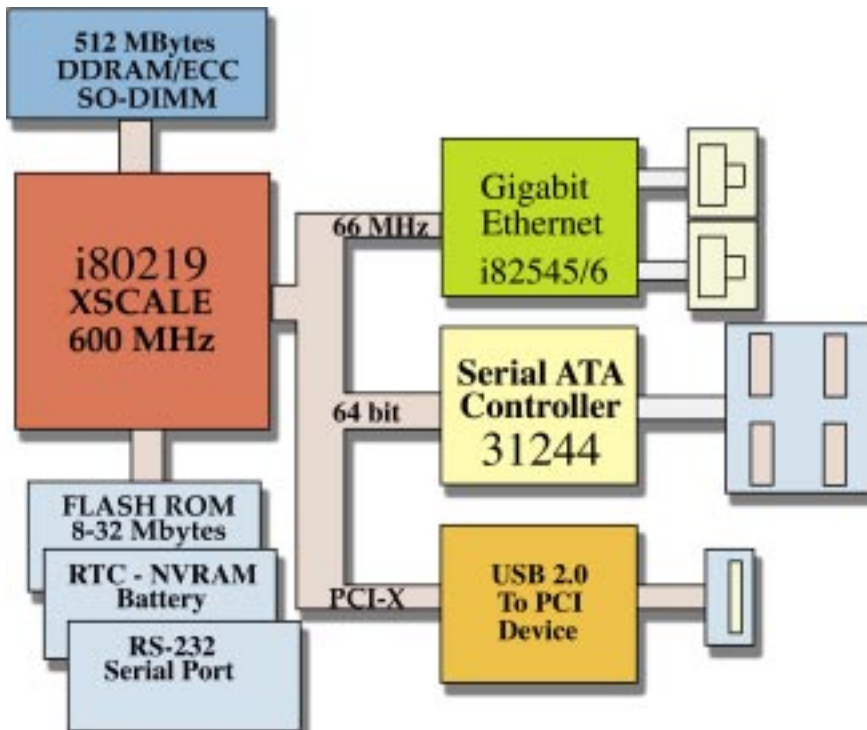
Embedded NFS Server

iSCSI Controller

RAID Controller

Major System Features

- 600 Mhz 80219 Intel XScale CPU
- Quad Serial ATA Hard Drive Ports
- Dual Gigabit Ethernet
- USB 2.0 Device Port
- 64 - 512 Megabyte DDR-SDRAM
- RTC / Battery
- 8-16 Megabyte FLASH
- Serial Port - RS-232
- 64 Bit - 66/100 MHz PCI-X
- 4" by 6.5" Form Factor
- Linux Flash Disk
- Linux CD-ROM
- 3 AMP @ 5VDC, 15 Watts



The NPWR-LCX easily fits into most 3.5" Disk Enclosures

Team ASA

Contact our Sales Office
Phone: (619) 253-8753
PO Box 420576
San Diego, CA 92142
Sales@TeamASA.com